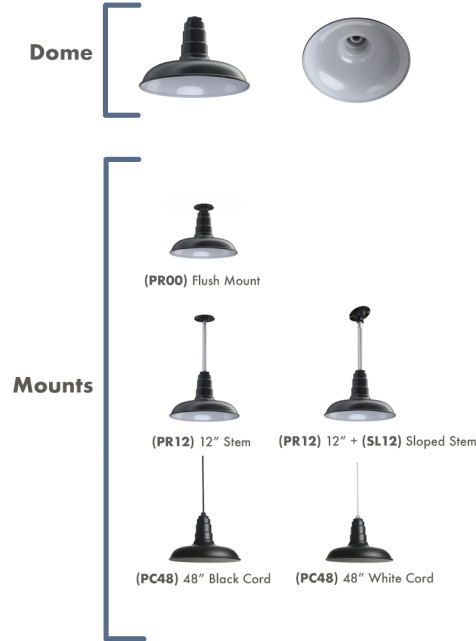


The Malibu Ceiling Mount



The go-to for American-made, handcrafted lights.
A family-owned business, comfortable making things the old fashioned way.



Parts Included

DOMES: (C14) Classic 14" Dome

MOUNT: Choose between a flush mount, a 12" rigid stem or a 48" black or white cord. Lengths may be customized upon request. To indicate length of stem use (PRxx), xx = length in inches.

SOCKET: Medium Base Porcelain Socket

MOUNTING HARDWARE: With a rigid stem (PR12) a 4" Mounting Plate (BP12) comes standard. You have the option to choose the LP12 or the SL12 for an additional fee.

Features

CUSTOMIZABLE: The stem length can be as small as a close nipple or as long as 6 feet upon request. The color of the stem can also be customized to match the color of the light fixture.

ALL-WEATHER: Built to last and withstand any storm the outside - or inside - world throws its way.

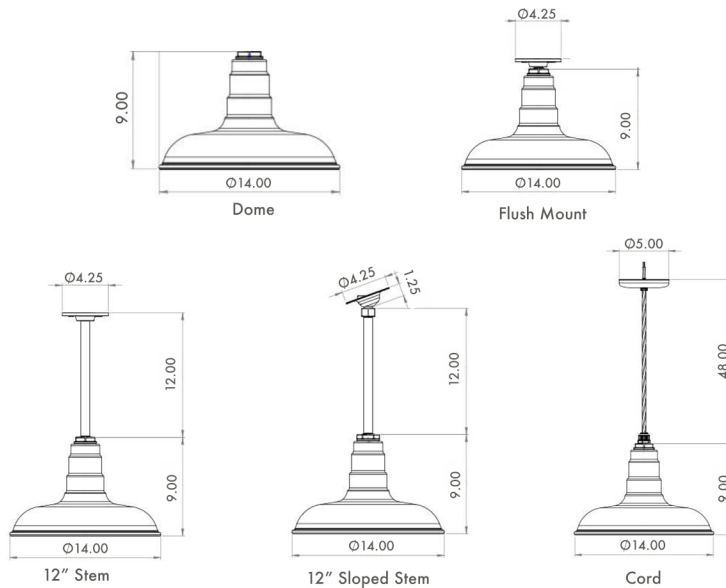
STEEL CONSTRUCTION: Expertly spun using 18 gauge steel and strong enough to make a lasting statement.

FAST & FREE SHIPPING: We move quickly so your timelines can too - free shipping within 24 hours in the continental US!

APPLICATION: Above a kitchen island, over a wet bar or peninsula



Dimensional Data



Ordering Information

Choose each item specification to breakdown the SKU numbers for your order below

C14	Color	Mount	Color	Mounting Hardware	Color	Electrical Box (optional)	Color	LED Bulb (optional)
	00 04	PRO0 - Flush Mount	Flush Mount: XX	BP12 - Standard 4" Mounting Plate	00 04	RB05 - 4" round die	00 04	LFLA - LED Bulb
	01 06	PR12 - Rigid Stem Pendant	Available for PR12 & PR48 Mounts:	(only available for PR12 mount)	01 06	cast electrical box	01 06	
	1M 08	PC48 - Corded Pendant	00 01	LP12 - Larger 6" Mounting Plate	1M 08	(only available for PR mounts)	1M 08	
	03		Available for PR12 Mounts Only:	SL12 - Sloped Ceiling Canopy	03		03	
			1M 06	(only available for PR12 mount)				
			03 08	CN01 - Standard Ceiling Canopy				
			04	(only available for PC12 mount)				

Optional Accessories

Electrical Box (RB05): 4" round die cast electrical box which is powder coated to match your fixture. (only available for PR mounts)

LED Bulb (LFLA): 800 Lumen Filament LED Medium base screw-in bulb.

6" Mounting Plate (LP12): A larger mounting plate if the standard 4" mounting plate is too small. (only available for PR12 mounts)

Sloped Ceiling Canopy (SL12): Used with sloped ceilings and rigid stem. (only available for PR12 mounts)